

Heavy Duty Silo Mount for Use with 4158 Load Cell

FEATURES

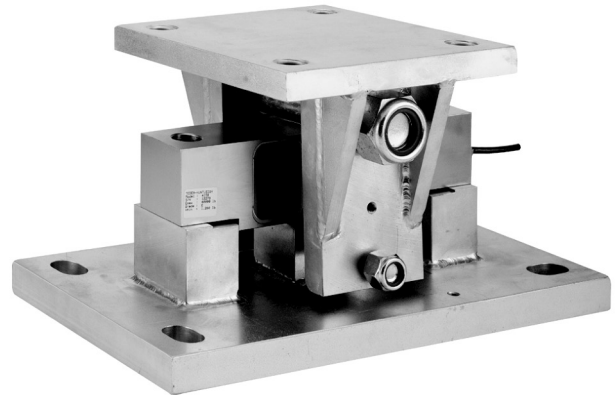
- Capacities up to 75k lbs
- Use on tanks or silos
- All steel construction
- Low profile
- Simple installation

DESCRIPTION

The 4158 silo mount is suitable for the support of tanks and silos, making it ideal for indoor or outdoor process control applications.

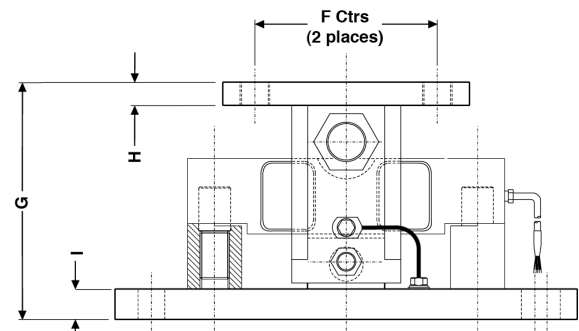
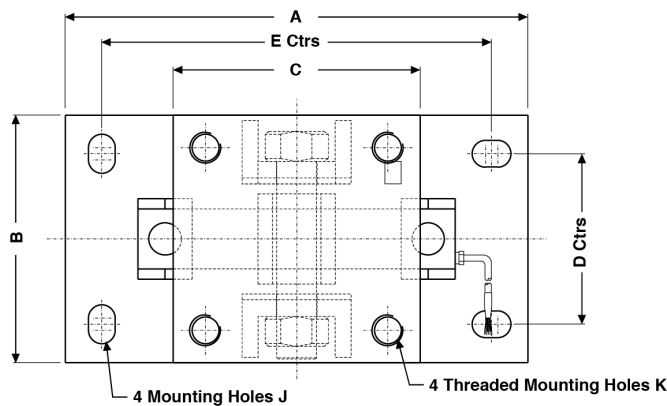
It is designed to support a uniformly distributed load and will allow tilt in any direction up to a maximum of $\pm 3^\circ$.

It forms a compact assembly which is rugged and tolerant of heavy industrial environments. Heavy gauge steel plate provides a rigid, robust load cell mount for high accuracy and prolonged life.



It incorporates lift-off protection and allows for thermal expansion of the weighing vessel.

OUTLINE DIMENSIONS in millimeters



This mount is designed for a uniformly distributed load on the top and bottom surfaces

Each comprises base plate assembly, top plate assembly, loading pin and support, bottom pin, mounting posts, retaining clips, earth strap with bolts and washers.

CAPACITY	A	B	C	D	E	F	G	H	I	J	K
10k-25k lbs	240	180	180	130	190	130	142	12.7	19	Ø18x28	M20
40k lbs	380	203	203	140	320	150	195	19	25	Ø22x32	M24
50k-75k lbs	380	203	203	140	320	150	210	19	25	Ø22x32	M24

Disclaimer

ALL PRODUCTS, PRODUCT SPECIFICATIONS AND DATA ARE SUBJECT TO CHANGE WITHOUT NOTICE.

Vishay Precision Group, Inc., its affiliates, agents, and employees, and all persons acting on its or their behalf (collectively, "Vishay Precision Group"), disclaim any and all liability for any errors, inaccuracies or incompleteness contained herein or in any other disclosure relating to any product.

The product specifications do not expand or otherwise modify Vishay Precision Group's terms and conditions of purchase, including but not limited to, the warranty expressed therein.

Vishay Precision Group makes no warranty, representation or guarantee other than as set forth in the terms and conditions of purchase. **To the maximum extent permitted by applicable law, Vishay Precision Group disclaims (i) any and all liability arising out of the application or use of any product, (ii) any and all liability, including without limitation special, consequential or incidental damages, and (iii) any and all implied warranties, including warranties of fitness for particular purpose, non-infringement and merchantability.**

Information provided in datasheets and/or specifications may vary from actual results in different applications and performance may vary over time. Statements regarding the suitability of products for certain types of applications are based on Vishay Precision Group's knowledge of typical requirements that are often placed on Vishay Precision Group products. It is the customer's responsibility to validate that a particular product with the properties described in the product specification is suitable for use in a particular application.

No license, express, implied, or otherwise, to any intellectual property rights is granted by this document, or by any conduct of Vishay Precision Group.

The products shown herein are not designed for use in life-saving or life-sustaining applications unless otherwise expressly indicated. Customers using or selling Vishay Precision Group products not expressly indicated for use in such applications do so entirely at their own risk and agree to fully indemnify Vishay Precision Group for any damages arising or resulting from such use or sale. Please contact authorized Vishay Precision Group personnel to obtain written terms and conditions regarding products designed for such applications.

Product names and markings noted herein may be trademarks of their respective owners.