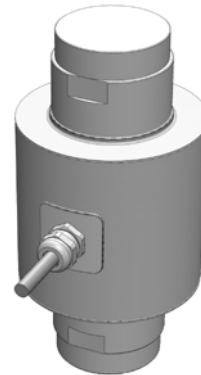


Compression Load Cell

FEATURES

- Capacities: 20, 30, 35, 40 and 50T
- Self-aligning, stainless steel single column
- Hermetically sealed, IP66/68 – 5 bar
- Certified to OIML R60 6000d and NTEP IIIIL/10,000 d
- Built-in surge protection
- Current calibration output ensures easy and accurate parallel calibration of multiple load cells
- Compatible with original Model ASC
- **Optional**
 - Digital version available (Model DSC2)



APPLICATIONS

- Weighbridges
- Process weighing

DESCRIPTION

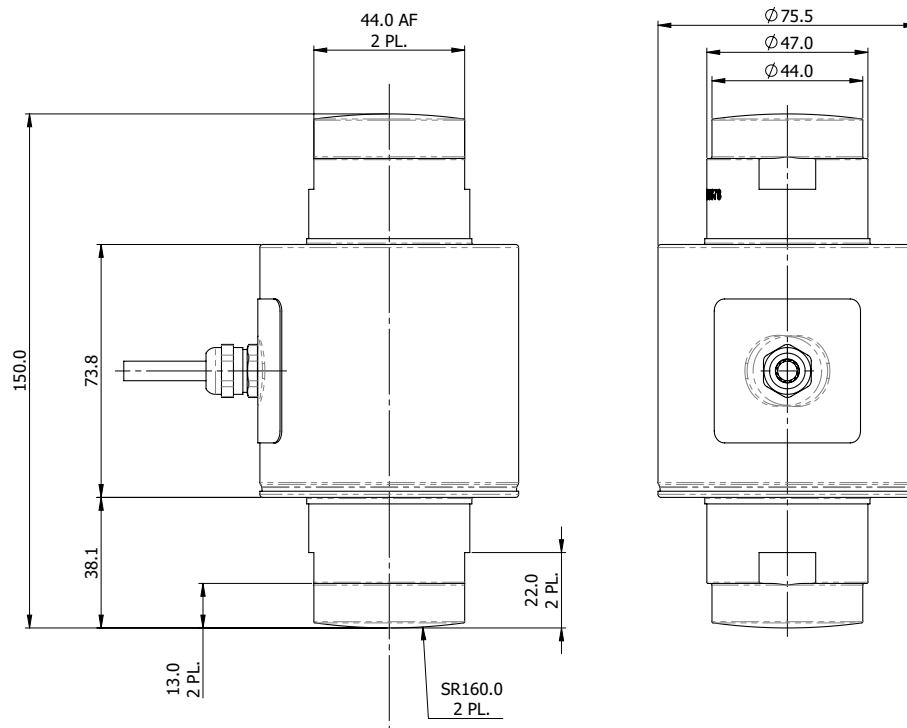
The ASC2 is a single column, stainless steel compression load cell fully compatible with original Model ASC.

This product is suitable for use in road and rail weighbridges and process weighing applications.

The fully welded construction and built-in surge protection ensures that this product can be used successfully in many harsh environments.

This load cell meets the stringent Weights and Measures requirements throughout Europe and the Americas.

OUTLINE DIMENSIONS in millimeters



Cable specifications

Cable length:	15m
Excitation +	Green
Excitation -	Black
Output +	White
Output -	Red

Shield is a bare twisted braid.

Compression Load Cell

SPECIFICATIONS								
PARAMETER	VALUE							UNIT
VPG Accuracy class	I3	F3	G5	G3	G2	H3	J4	
Minimum utilization	33	33	50	30	30	33	30	% of R.C.
NTEP Accuracy class/ n _{max}	IIIL multi							
OIML Accuracy class		C2	C3	C3MR10	C3MR15	C4MR12	C6MR20	
Maximum no. of intervals (n)	10000	2000	3000	3000	3000	4000	6000	
Rated capacity – R.C. (E _{max})	20, 30, 35, 40, 50							T
Rated output – R.O.	2.0							mV/V
Rated output tolerance	0.02							±mV/V
Zero balance	0.02							±mV/V
Nominal U/R ratio	1.9740							µA/Ω
U/R ratio error	0.08							±%
Creep (30 min.)	0.050	0.037	0.025	0.025	0.015	0.018	0.013	±% of load
Zero return (30 min.)	0.015	0.025	0.017	0.017	0.010	0.0125	0.0083	±% of load
Total Error	0.030	0.030	0.020	0.020	0.020	0.015	0.010	±% of R.O.
Temperature effect on output	0.0012	0.0012	0.0012	0.0012	0.0012	0.00075	0.00058	±% of load/°C
Temperature effect on zero	0.0014	0.0023	0.0023	0.0014	0.0014	0.0012	0.0007	±% of R.O./°C
Y = E _{max} /V _{min}	30000	6000	6000	10000	10000	12000	20000	
Temp. range, compensated	-10 to +40							°C
Temp. range, safe	-30 to +70							°C
Temp. range, storage	-40 to +90							°C
Maximum safe static overload	150							% of R.C.
Ultimate static overload	300							% of R.C.
Excitation, recommended	10							VDC or VAC RMS
Excitation, range	5–15							VDC or VAC RMS
Input impedance	1160 ±60							Ω
Output impedance	1011.5 ±11.5							Ω
Insulation resistance	>2000							MΩ
Cable length	15 (49)							m (ft)
Cable type	4 conductors, 24 AWG, polyurethane jacket							
Construction	Stainless steel, welded seal							
Compensation circuit type	Balanced							
Balance symmetry	5.0							Ω
Environmental protection	IP66/IP68 – 100 hours @ 1 m depth							
Outline dimensions DWG.	264.000.00-3							

All specifications subject to change without notice.

Disclaimer

ALL PRODUCTS, PRODUCT SPECIFICATIONS AND DATA ARE SUBJECT TO CHANGE WITHOUT NOTICE.

Vishay Precision Group, Inc., its affiliates, agents, and employees, and all persons acting on its or their behalf (collectively, "Vishay Precision Group"), disclaim any and all liability for any errors, inaccuracies or incompleteness contained herein or in any other disclosure relating to any product.

The product specifications do not expand or otherwise modify Vishay Precision Group's terms and conditions of purchase, including but not limited to, the warranty expressed therein.

Vishay Precision Group makes no warranty, representation or guarantee other than as set forth in the terms and conditions of purchase. **To the maximum extent permitted by applicable law, Vishay Precision Group disclaims (i) any and all liability arising out of the application or use of any product, (ii) any and all liability, including without limitation special, consequential or incidental damages, and (iii) any and all implied warranties, including warranties of fitness for particular purpose, non-infringement and merchantability.**

Information provided in datasheets and/or specifications may vary from actual results in different applications and performance may vary over time. Statements regarding the suitability of products for certain types of applications are based on Vishay Precision Group's knowledge of typical requirements that are often placed on Vishay Precision Group products. It is the customer's responsibility to validate that a particular product with the properties described in the product specification is suitable for use in a particular application.

No license, express, implied, or otherwise, to any intellectual property rights is granted by this document, or by any conduct of Vishay Precision Group.

The products shown herein are not designed for use in life-saving or life-sustaining applications unless otherwise expressly indicated. Customers using or selling Vishay Precision Group products not expressly indicated for use in such applications do so entirely at their own risk and agree to fully indemnify Vishay Precision Group for any damages arising or resulting from such use or sale. Please contact authorized Vishay Precision Group personnel to obtain written terms and conditions regarding products designed for such applications.

Product names and markings noted herein may be trademarks of their respective owners.