

## Load Cell



### FEATURES

- Suitable for force measurement applications
- Simple installation
- The cylindrical shape makes it easy to replace an axis
- Resistant against harsh environment
- Could be adapted for other dimensions and capacities
- Atex approved for hazardous area upon request

### DESCRIPTION

The KOSD-40 load cell has a rugged design for harsh environment and is suitable for force measurement and overload protection. The sensing element consists of three sections, the two outer

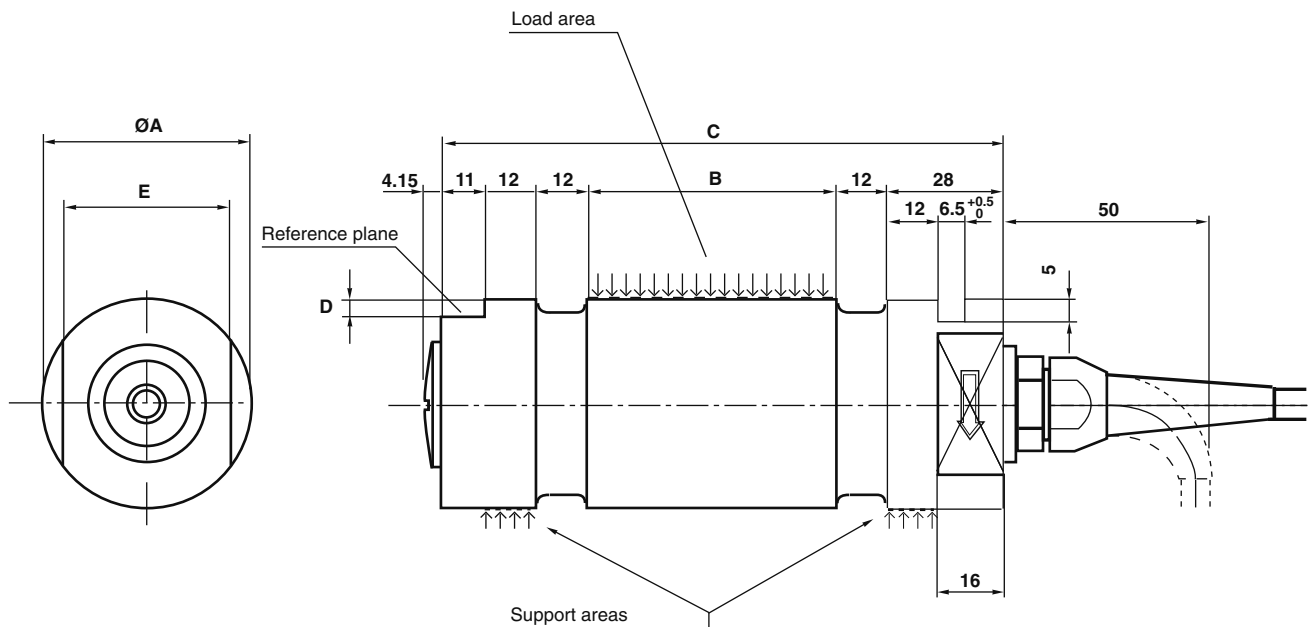
sections constitute supports and the middle section is the load sensing part.

The KOSD-40 can be delivered in a module for load and level monitoring in storage tanks, then called KOM-1.

### APPLICATIONS

- Offshore
- Cranes
- Tension measurement
- Level monitoring

### OUTLINE DIMENSIONS

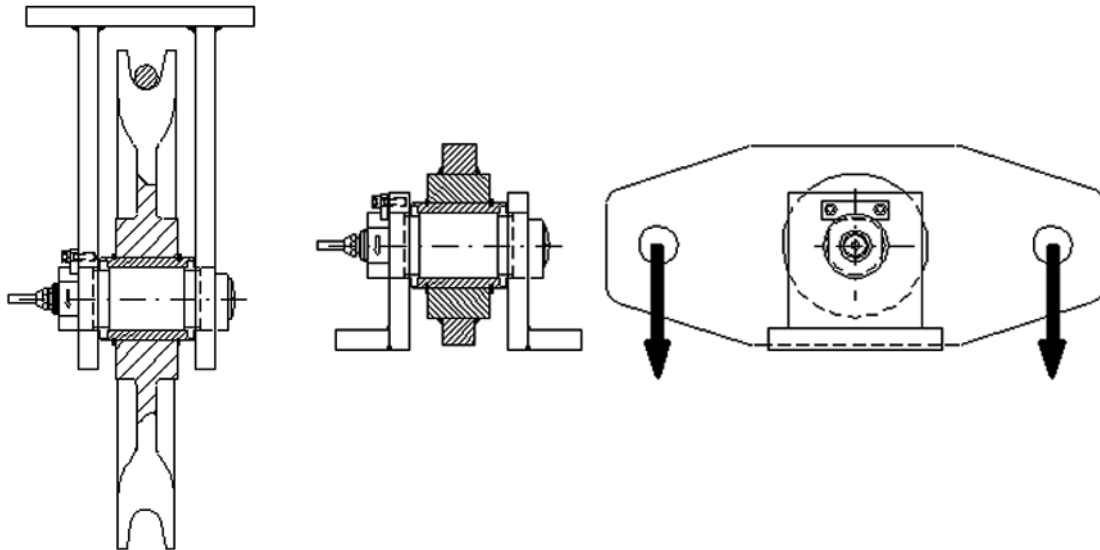


RANGE kN	ØA	B	C	D	E
10, 20, 50	40 f8 (- 0.025) (- 0.064)	35	110	4	32
100	50 f8 (- 0.025) (- 0.064)	60	135	5	40
200	70 f8 (- 0.030) (- 0.076)	60	135	5	60

### SPECIFICATIONS

Rated load (R.L.)		10, 20, 50, 100, 200	kN
Combined error (terminal)		±0.5	% of R.O.
Repeatability		0.25	% of R.O.
Overload (referred to recommended loading point)	safe	100	% of R.L.
	ultimate	200	% of R.L.
Side load (referred to recommended loading point)	safe	100	% of R.L.
	ultimate	200	% of R.L.
Input voltage	recommended	10	V DC or AC
	maximum	18	V DC or AC
Input resistance		350±5	ohm
Output resistance		350±5	ohm
Rated output (R.O.)		≈1	mV/V
Zero balance		±5	% of R.O.
Tolerance of shunt calibration values		±1	% of value (actual output listed on unit calibration sheet)
Temperature range		-40 to +80	°C
		-40 to +100 upon request	
Temperature effect	on output	+0.04	% of output/°C
	on zero balance	±0.04	% of R.O./°C
Insulation resistance at 200V DC		>4	Gohm
Material		Stainless steel	
Electrical connection		5m shielded four conductor cable	10, 20, 50kN
		10m shielded four conductor cable	100, 200kN
Degree of protection		IP 67	

ATEX certified versions for use in explosive atmospheres are available upon request: II 1GD.



## Disclaimer

ALL PRODUCTS, PRODUCT SPECIFICATIONS AND DATA ARE SUBJECT TO CHANGE WITHOUT NOTICE.

Vishay Precision Group, Inc., its affiliates, agents, and employees, and all persons acting on its or their behalf (collectively, "Vishay Precision Group"), disclaim any and all liability for any errors, inaccuracies or incompleteness contained herein or in any other disclosure relating to any product.

The product specifications do not expand or otherwise modify Vishay Precision Group's terms and conditions of purchase, including but not limited to, the warranty expressed therein.

Vishay Precision Group makes no warranty, representation or guarantee other than as set forth in the terms and conditions of purchase. **To the maximum extent permitted by applicable law, Vishay Precision Group disclaims (i) any and all liability arising out of the application or use of any product, (ii) any and all liability, including without limitation special, consequential or incidental damages, and (iii) any and all implied warranties, including warranties of fitness for particular purpose, non-infringement and merchantability.**

Information provided in datasheets and/or specifications may vary from actual results in different applications and performance may vary over time. Statements regarding the suitability of products for certain types of applications are based on Vishay Precision Group's knowledge of typical requirements that are often placed on Vishay Precision Group products. It is the customer's responsibility to validate that a particular product with the properties described in the product specification is suitable for use in a particular application.

No license, express, implied, or otherwise, to any intellectual property rights is granted by this document, or by any conduct of Vishay Precision Group.

The products shown herein are not designed for use in life-saving or life-sustaining applications unless otherwise expressly indicated. Customers using or selling Vishay Precision Group products not expressly indicated for use in such applications do so entirely at their own risk and agree to fully indemnify Vishay Precision Group for any damages arising or resulting from such use or sale. Please contact authorized Vishay Precision Group personnel to obtain written terms and conditions regarding products designed for such applications.

Product names and markings noted herein may be trademarks of their respective owners.