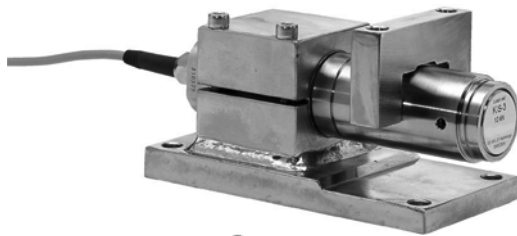


Weigh Module



FEATURES

- Capacity range: 1, 2, 5, 10, and 20kN (225, 450, 1.12K, 2.25K, and 4.5Klb)
- Simple installation
- Moveable load point
- Withstands very high lateral forces
- Extremely accurate and rugged
- ATEX/FM/CSA certified for hazardous locations
- NTEP certified

DESCRIPTION

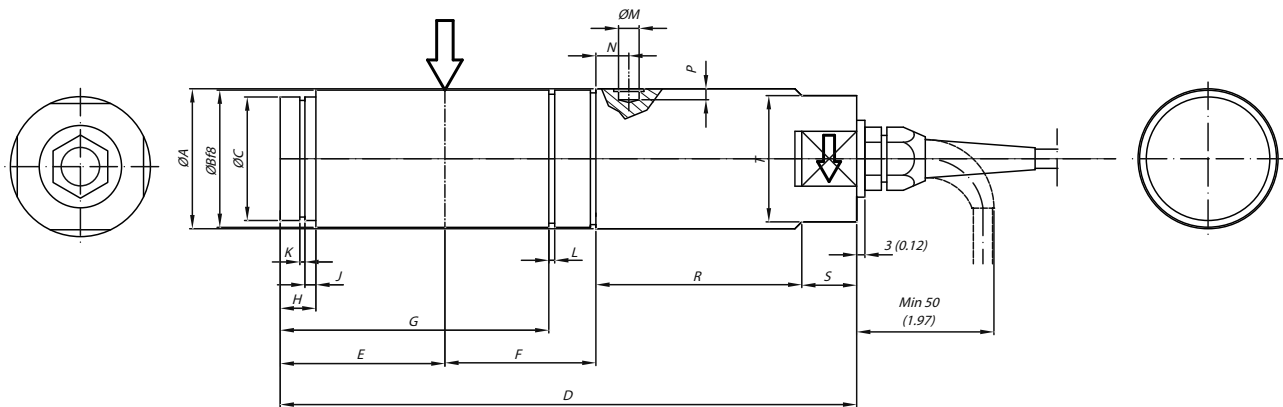
High-accuracy KIS-3 load cells have several features that clearly distinguish them from other load cells. They are easy to install and extremely accurate, even when subjected to dynamic process forces and

severe environmental conditions. All KIS load cells can be ATEX/FM/CSA certified for use in explosive atmospheres.

APPLICATIONS

- Quality-critical process weighing
- Batch/blend/mix systems
- Reactor vessels
- High-value ingredient weighing
- Precision force measurement

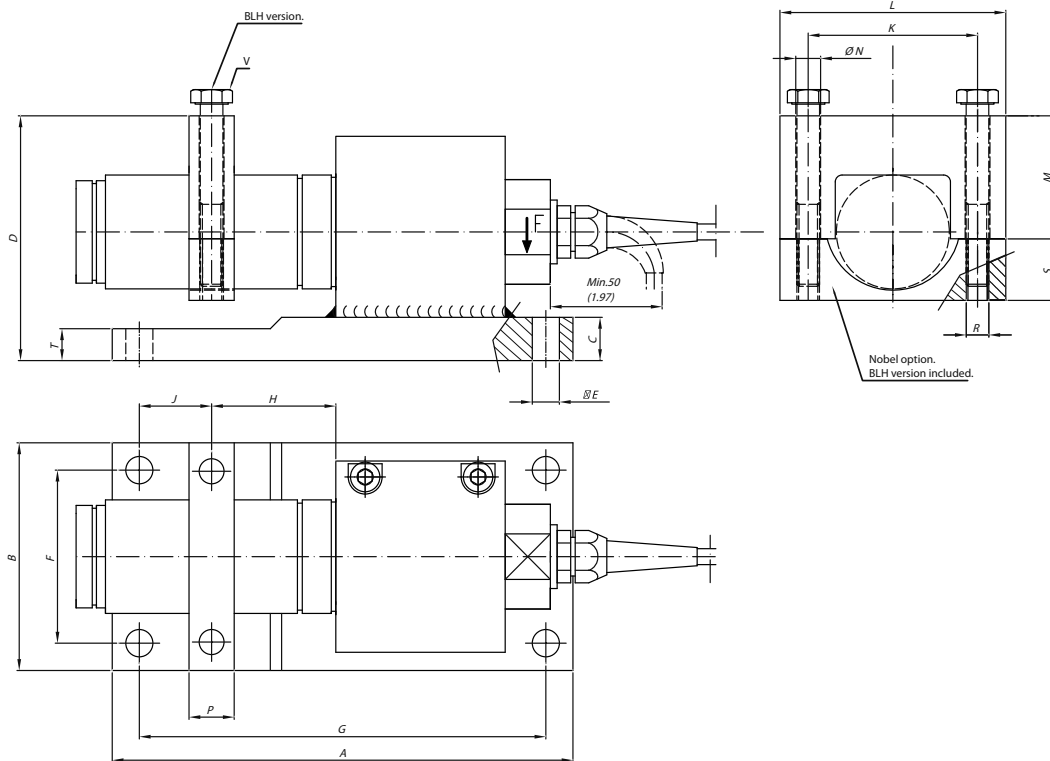
OUTLINE DIMENSIONS



RANGE kN	ØA	ØB	ØC	D	E	F	G	H	J	K	L	ØM	N	P	R	S	T
1-2-5 (225-450-1.2k)	34 (1.34)	33 (1.30)	29 (1.14)	169 (6.65)	46 (1.81)	35 (1.38)	- -	10 (.39)	2.5 (.10)	1.6 (.06)	- -	4.4 (.17)	10 (.39)	2.3 (.09)	70 (2.76)	15 (.59)	30 (1.18)
10-20 (2.25 – 4.5k)	51 (2.01)	50 (1.97)	45 (1.77)	213 (8.39)	60 (2.36)	55 (2.17)	97.85 (3.85)	13 (.51)	4 (.16)	1.85 (.07)	2.15 (.08)	7.5 (.30)	12 (.47)	5 (.20)	75 (2.95)	20 (.79)	46 (1.81)

Dimension shown in MM (inch)

OUTLINE DIMENSIONS cont.



RANGE kN	A	B	C	D	ØE	F	G	H	J	K	L	M	ØN	P	T	R	S
1-2-5 (225-450-1.2k)	175 (6.89)	75 (2.95)	14 (.55)	81 (3.19)	12 (.47)	51 (2.01)	151 (5.94)	35 (1.38)	31 (1.22)	55 (2.17)	70 (2.74)	41 (1.61)	8.5 (.33)	20 (.79)	14 (.55)	M8 M8	19 (.75)
10-20 (2.25 – 4.5k)	204 (8.03)	100 (3.94)	19 (.75)	107.5 (4.23)	12 (.47)	76 (2.99)	180 (7.09)	55 (2.47)	32 (1.26)	75 (2.95)	100 (3.94)	54 (2.13)	11 (.93)	20 (.79)	14 (.55)	M10 M10	27 (1.06)

RANGE kN	V
1-2-5 (225-450-1.2k)	M8-1.25X70 (2.755) LG
10-20 (2.25-4.5k)	M10-1.5X90 (3.543) LG

Dimension shown in MM (inch)

KIS-3 TECHNICAL DATA

Rated load (R.L.)		1, 2, 5, 10, 20	kN
Combined error (best fit through zero)		±0.02	% of R.O.
Repeatability		0.01	% of R.O.
Overload (referred to recommended loading point)	Safe	200	% of R.L.
	Ultimate	300	% of R.L.
Uplift	Safe	100	% of R.L.
	Ultimate	120	% of R.L.
Side load (referred to recommended loading point)	Safe	100	% of R.L.
	Ultimate	200	% of R.L.
Input voltage	Recommended	10	V DC or AC
	Maximum	18	V DC or AC
Input resistance		350 ±3	Ohm
Output resistance		350 ±0.5	Ohm
Rated output (R.O.)		2.040	mV/V
Tolerance of R.O.		±0.1	% of R.O.
Zero balance		±1	% of R.O.
Tolerance of shunt calibration values		±0.1	% of value (actual output listed on unit calibration sheet)
Creep at R.L. after 30 minutes		±0.01	% of R.L.
Temperature range		-40 to +105	°C
		-40 to +220	°F
		Wider temperature range available upon request	
Temperature effect (-10°C to +50°C) (14 to 120°F)	On output	±0.001 ±0.0008	% of output/°C % of output/°F
	On zero balance	±0.001 ±0.0008	% of R.O./°C % of R.O./°F
Insulation resistance at 200V DC		>4	Gohm
Material: Load Cell		Stainless steel	
Material bracket, yoke and tilt guard		Yellow chromate steel Stainless steel upon request	
Electrical connection		10 m shielded four conductor cable	BLH version
		5 m shielded four conductor cable	Nobel version
Degree of protection		IP 67	
ATEX/FM/CSA certified versions for use in explosive atmospheres are available upon request			
ATEX		II 1 GD	
FM		3611 (Class I, II, III; Div 1,2; Group A-G)	
CSA		C22.2 (Class I, II, III; Div 1,2; Group A-G)	

Disclaimer

ALL PRODUCTS, PRODUCT SPECIFICATIONS AND DATA ARE SUBJECT TO CHANGE WITHOUT NOTICE.

Vishay Precision Group, Inc., its affiliates, agents, and employees, and all persons acting on its or their behalf (collectively, "Vishay Precision Group"), disclaim any and all liability for any errors, inaccuracies or incompleteness contained herein or in any other disclosure relating to any product.

The product specifications do not expand or otherwise modify Vishay Precision Group's terms and conditions of purchase, including but not limited to, the warranty expressed therein.

Vishay Precision Group makes no warranty, representation or guarantee other than as set forth in the terms and conditions of purchase. **To the maximum extent permitted by applicable law, Vishay Precision Group disclaims (i) any and all liability arising out of the application or use of any product, (ii) any and all liability, including without limitation special, consequential or incidental damages, and (iii) any and all implied warranties, including warranties of fitness for particular purpose, non-infringement and merchantability.**

Information provided in datasheets and/or specifications may vary from actual results in different applications and performance may vary over time. Statements regarding the suitability of products for certain types of applications are based on Vishay Precision Group's knowledge of typical requirements that are often placed on Vishay Precision Group products. It is the customer's responsibility to validate that a particular product with the properties described in the product specification is suitable for use in a particular application.

No license, express, implied, or otherwise, to any intellectual property rights is granted by this document, or by any conduct of Vishay Precision Group.

The products shown herein are not designed for use in life-saving or life-sustaining applications unless otherwise expressly indicated. Customers using or selling Vishay Precision Group products not expressly indicated for use in such applications do so entirely at their own risk and agree to fully indemnify Vishay Precision Group for any damages arising or resulting from such use or sale. Please contact authorized Vishay Precision Group personnel to obtain written terms and conditions regarding products designed for such applications.

Product names and markings noted herein may be trademarks of their respective owners.